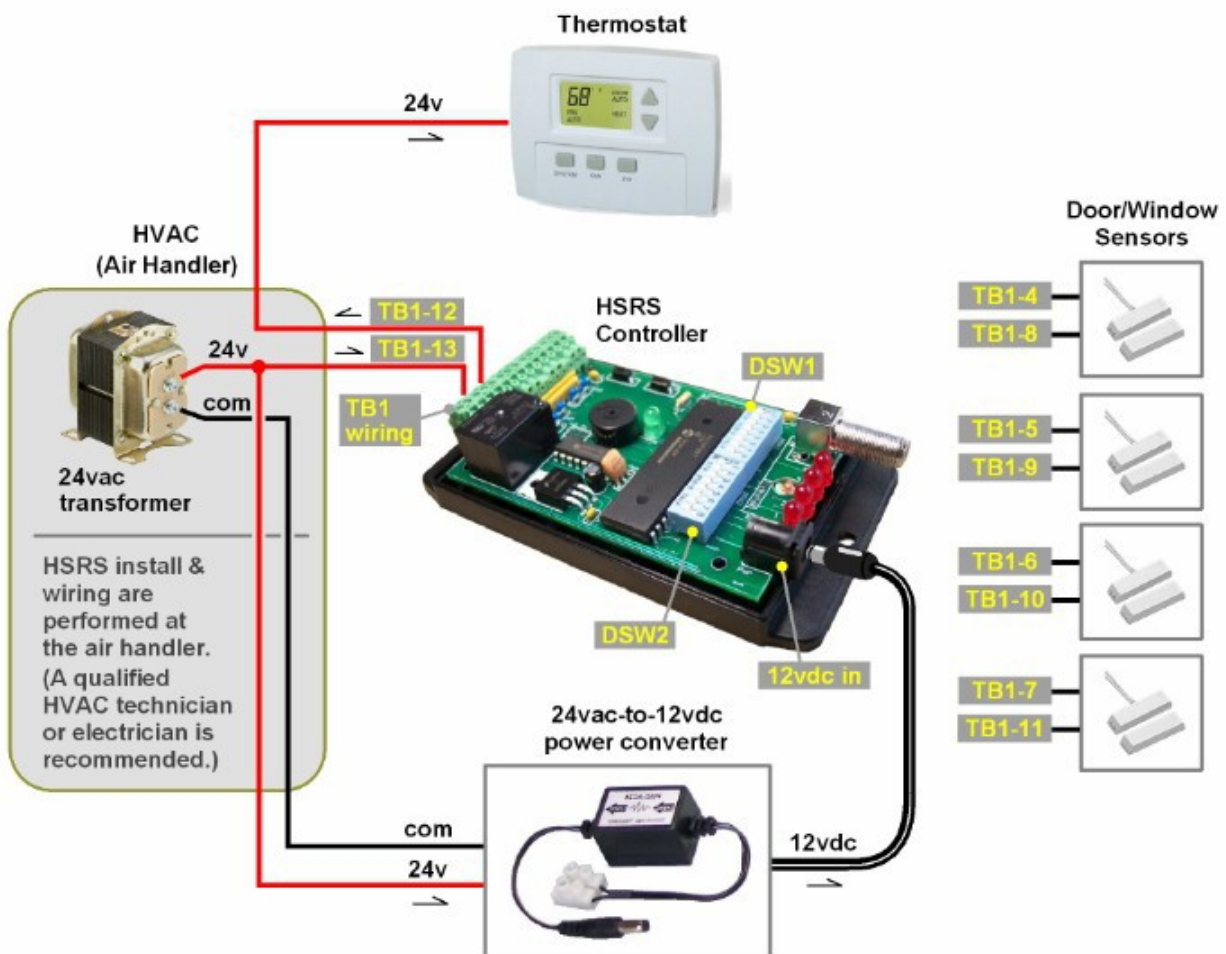


HSRS Wiring Install

The HSRS is ideally suited for use with split (central, ducted) systems. We recommend installing the HSRS controller near the air handler and routing a length of low-voltage wire into the unit for direct access to the HVAC's 24vac power. (Most any low voltage wire will suffice such as thermostat, telephone, intercom, or alarm wire.) The diagram below demonstrates a typical wiring installation.

Caution: Although HSRS wiring is not complicated, only a qualified HVAC contractor or technician should attempt the procedure. Wiring diagrams and instructions are provided for the purpose of demonstrating a typical installation. We accept no liability or responsibility for possible errors, omissions, or ambiguities. The installer assumes full responsibility for a proper install and to verify all wiring. Should you encounter any issues during or after the install, contact us for free support by phone or e-mail.



Hint: When breaking the 24vac line to the thermostat for wiring connection to the HSRS relay (terminals 12 & 13 as shown), be sure to do so downstream of the spliced connection for powering the HSRS controller.

Contact Information

Delahoussaye Consulting

3682 N. Wickham Rd.
Suite B1-224
Melbourne, FL 32935

info@kadtronix.com
www.kadtronix.com

321-757-9280