

KD-DW10
Surface Mount
Magnetic Reed Switch
With quick-connect terminal block



Alarm Circuit: For normally-closed circuits.

Contact type: SPST, gold under-plating with deactivated rhodium outer-plating.

Switch cycles: 50 million (0.1mA 5VDC)

Operation gap: 1 inch

Color: white

Dimensions: 2"L x 3/8"W x 5/16"H:

Case construction: High impact ABS plastic with self-adhesive backing.

Magnet: Neodymium

Leads: None

Terminals: Gold-plated terminals

Rating: 0.1 Amp / 100VDC (max.)
1 Amp / 10VDC (max.)
10W (max.)

Temperature: -15 to 160 degrees Fahrenheit

Applications: 24-hour monitoring of doors and windows. (See sample application below.)

Sample Application

Automatic HVAC Equipment Shutoff

The Kadtronix HVAC Smart Relay Switch (HSRS) automatically disables the HVAC system in the event of a violation such as a door or window that has remained open for a period of time, or a room that has remained vacant. The HSRS is a fully configurable device that provides energy efficient control for heating and cooling systems. In addition, the HSRS can be used as a general purpose controller for devices including dampers, fans, etc.

The controller accepts wired and/or wireless switch sensor inputs. For wired sensors, the KD-DW10 magnetic reed switch is recommended. (For applications where wire runs are not desired or simply inconvenient, compatible wireless sensors may be used.) The controller provides configuration DIP switches to configure desired operational parameters.

Automatically shut off the HVAC when doors or windows are left open!



HVAC Smart Relay Switch

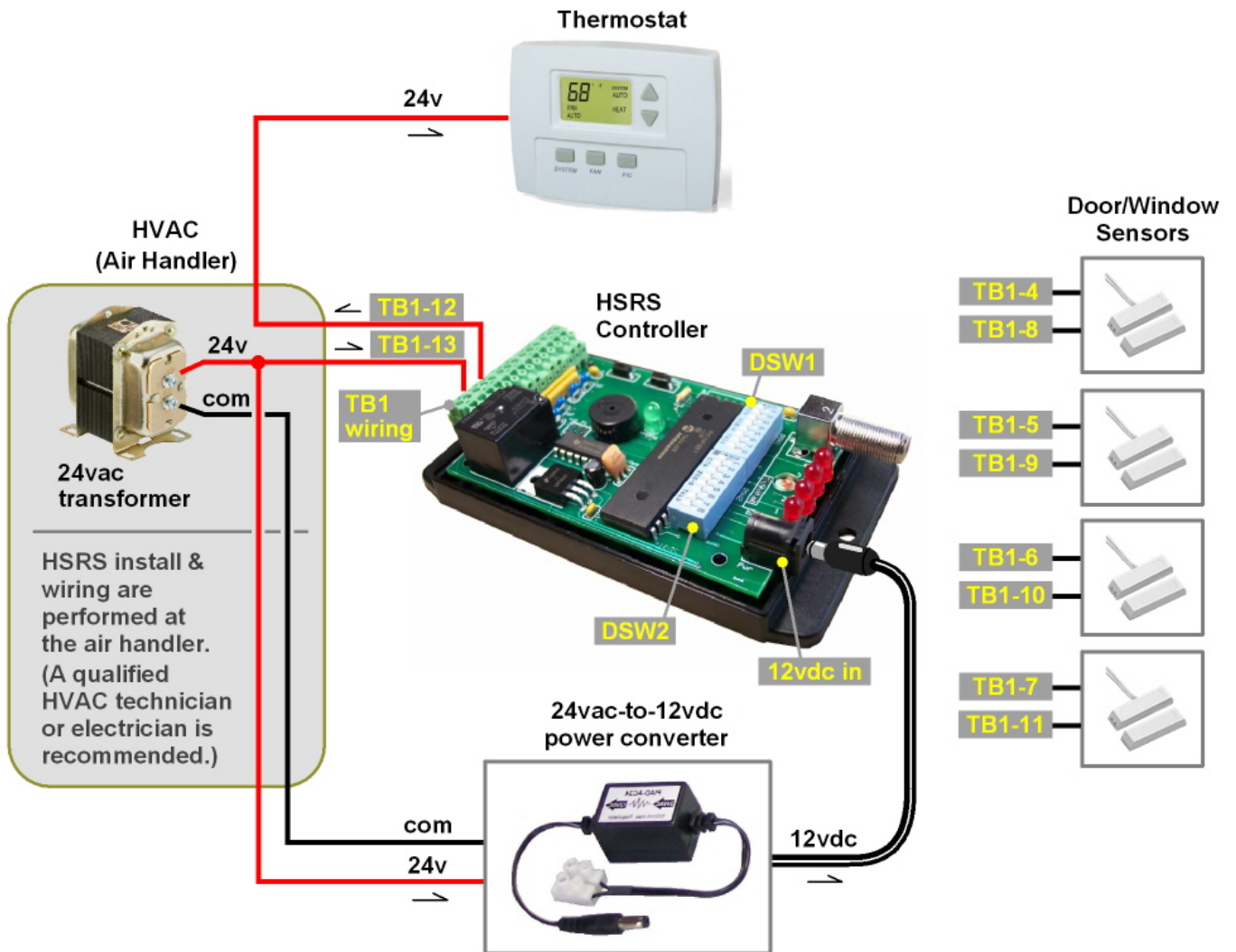
- Conserves energy, reduces utility bills
- Monitors open doors and windows
- Compatible with split (ducted) systems
- Selectable pre-shutoff delay period
- Optional reactivation delay for compressor protection
- Available in wired and wireless variations (shown below):



"As property manager of ocean-front vacation condominiums, we have had ongoing problems with guests who leave patio doors open. This has resulted in enormous electric bills, especially in summer months. We purchased & installed the HSRS and were pleased to discover immediate savings in our electric bills."

- Sam M., Hatteras, North Carolina -

Installation is straightforward, requiring 1 to 2 hours of labor by any qualified HVAC technician. The HSRS controller is typically mounted near the indoor air handler with appropriate low-voltage wiring routed from the HVAC unit for direct access to the system's 24vac power supply. The schematic below illustrates the simplicity of a typical HSRS installation:



Contact Information

Delahoussaye Consulting

3682 N. Wickham Rd.

Suite B1-224

Melbourne, FL 32935

info@kadtronix.com

www.kadtronix.com

321-757-9280